



ACO Pro Audio For Better Sound Quality



Guangzhou ACO Pro Audio Co., Ltd

Web: <https://www.acoaudio.com>

Email: maggie@acoaudio.com

Mobel: +86 138 2221 9263

Wechat & WhatsApp: 0086 1382 221 9263

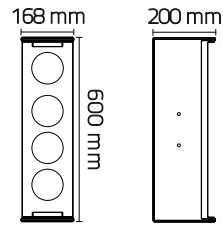
Address: No. 36, Yashen Road, Yayao Town, Huadu District, Guangzhou, China

PRODUCT DESCRIPTION

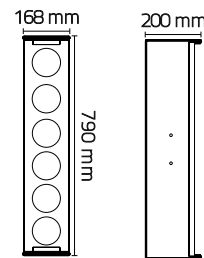
- ★ Professional three-way 8-unit system: Equipped with professional neodymium magnet horn tweeters, combined with high-quality aerospace magnet 4" full-range band other sound system projects.
- ★ Precisely designed three-way multi-level frequency division circuit, with accurate connection of frequency points, avoiding internal sound field interference, which can effectively double the sound pressure and make the layers more distinct, clear and resonant.
- ★ The specially designed special angles and structure of the cabinet can increase the sound field reflection and superposition effect, effectively enhance the sound pressure level, and highlight the response of mid-high frequencies.
- ★ Made with environmentally friendly paint spraying, it is beautiful, wear-resistant and durable.
- ★ The back is designed with convenient wall-mounted bracket hanging points, and the top and sides are designed with multiple hanging points and bottom supports, which are simple and quick to operate.
- ★ Widely used in sound reinforcement places such as conference systems, small performances, multi-function halls, and high-end hotel clubs.



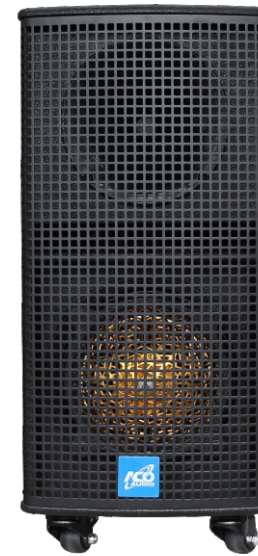
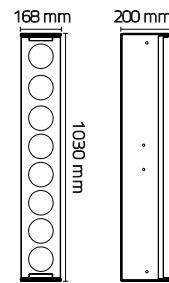
ACO-211C



ACO-411C

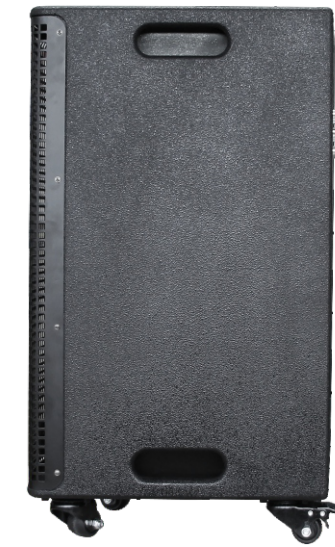


ACO-611C



PRODUCT DESCRIPTION

- ★ Professional designed multi-sided cabinet structure can increase the sound field reflection and superposition effect, and effectively enhance the sound pressure level.
- ★ Equipped with professional strong magnetic bass unit and high-quality neodymium magnet unit.
- ★ The frequency division circuit specially designed for singing and conferences highlights the mellow mid-frequency sound, clear and bright human voice, soft and delicate high frequency, and full and elastic low frequency.
- ★ The cabinet is made of high-quality environmentally friendly wood panels, and the interior is designed with a reinforced support structure, which can effectively reduce the internal energy consumption of the cabinet.
- ★ The surface is coated with environmentally friendly spray paint, which is moisture-proof and wear-resistant, providing better protection during handling or installation.
- ★ Applicable places: Professional KTV private rooms, conference halls, multimedia halls, multi-function halls, supermarket sound amplification, school classrooms, etc.



TECHNICAL PARAMETERS

Model	ACO-611C	ACO-411C	ACO-211C
System	Three frequency	Three frequency	Three frequency
Unit Composition	6x4" Bass 1x4" Midrange 1x1" Horn tweeter	4x4" Bass 1x4" Midrange 1x1" Horn tweeter	2x4" Bass 1x4" Midrange 1x1" Horn tweeter
Frequency Response	115Hz-20KHz	115Hz-20KHz	115Hz-20KHz
Rated power	300W	220W	150W
Peak power	500W	350W	250W
Sensitivity	100dB	98dB	96dB
Sound press Level	122dB	120dB	118dB
Rated resistance	6 Ω	8 Ω	4 Ω
Directivity	70° horizontal	70° horizontal	70° horizontal
Input method	2xSpeakon NL4	2xSpeakon NL4	2xSpeakon NL4
Dimension	W168*L200*H1030mm	W168*L200*H790mm	W168*L200*H600mm

TECHNICAL PARAMETERS

Model	ACO-10A	ACO-12A
System	Two frequency	Two frequency
Unit Composition	1x10" 180mm-75mm Bass 1xNeodymium magnet 44mm	1x12" 180mm-75mm Bass 1xNeodymium magnet 44mm
Frequency Response	65Hz-18KHz	65Hz-18KHz
Rated power	380W	450W
Peak power	580W	630W
Sensitivity	109dB	110dB
Sound press Level	121dB	122dB
Rated resistance	8 Ω	8 Ω
Directivity	70° horizontal	70° horizontal

ACO-206



- ★ This series of dual 6.5-inch linear array speakers is a small to medium-sized, high-precision linear array speaker system.
- ★ Carefully tuned by the engineering and technical team to produce master level sound quality effects. Equipped with two 6.5-inch imported paper cone bass units and professional horn treble, it has good low-frequency elasticity, clear and transparent mid frequency with distinct layers, bright treble, and long range.
- ★ Accurate phase calibration on components and professionally designed linear horn applications enable perfect playback of frequency spectrum signals within the specified range.
- ★ The suspension system adopts the latest ergonomics and mechanical design, making the installation of the entire system fast and safe.
- ★ The box is made of high-quality birch multi-layer plywood and is made of wear-resistant and environmentally friendly black gold sand spray coating.
- ★ Applicable venues: banquet halls, small and medium-sized performance systems, theaters, music halls, performance centers, conference centers.

- ★ This series of linear array subwoofers is a small to medium-sized, high-precision linear array speaker system.
- ★ It has a great dynamic capacity and is equipped with an imported paper tray 15 inch ultra-low unit, ensuring strong and powerful low-frequency sound output.
- ★ Adopting the latest ergonomics and mechanical design, the entire system is installed quickly and safely when paired with wire pillars.
- ★ The box is made of high-quality environmentally friendly birch plywood and coated with environmentally friendly paint.
- ★ Used in conjunction with dual 6.5-inch linear array full range speakers, it drives the music effect of the entire linear array system.
- ★ Applicable venues: banquet halls, small and medium-sized performance systems, theaters, music halls, conference centers.

ACO-2615

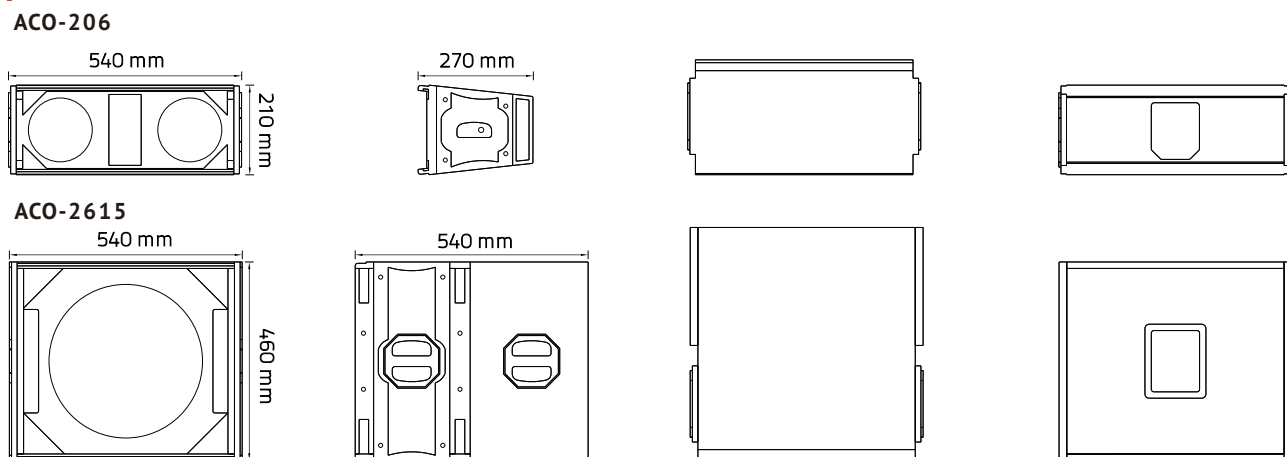


TECHNICAL PARAMETERS

Model	ACO-206		
Cell structure	2 - Way Low(6.5" x 2),Hi(1.35"Dynamic x 1)	Connection type	± 1 LHF
Impedance	8 Ω	System type	Built in frequency divider
Rated power	300w	Box type	Trapezoidal box
Sensitivity	96dB	material quality	Imported high-quality birch multi-layer plywood
Frequency response	85Hz~18KHz	Surface Treatment	Black polyurethane (black gold sand) spray coating
Coverage	120° x 20°	Face Net	Black porous powder coated steel mesh and transparent speaker mesh
Connector	2 x Speakon NL4	Box size	W540 x D270 x H210mm

Model	ACO-2615		
specifications	15 " linear array subwoofer	connector	2 x Speakon NL4
cell structure	Bass(15" x 1)	connection type	± 1 LHF
Impedance	8 Ω	material quality	Imported high-quality birch multi-layer plywood
rated power	500w	Surface Treatment	Black polyurethane (black gold sand) spray coating
frequency response	40Hz~300Hz	Face Net	Black porous powder coated steel mesh and transparent speaker mesh
sensitivity	98dB	Box size	W 540 x D 540 x H 460mm

STRUCTURE SIZE



ACO-208



- ★ This series of dual 8-inch linear array speakers is a small to medium-sized, high-precision linear array speaker system.
- ★ Carefully tuned by the engineering and technical team to produce master level sound quality effects. Equipped with two 8-inch imported paper cone bass units and a professional 75 core tweeter unit, it has good low-frequency elasticity, clear and transparent mid frequency with distinct layers, bright high frequency, and long range.
- ★ This system has a large dynamic capacity, precise phase tuning on components, and professionally designed linear horn applications that can perfectly reproduce spectral signals within a specified range.
- ★ The suspension system adopts the latest ergonomics and mechanical design, making the installation of the entire system fast and safe.
- ★ The box is made of high-quality birch multi-layer plywood and is made of wear-resistant and environmentally friendly black gold sand spray coating.
- ★ Applicable venues: banquet halls, small and medium-sized performance systems, theaters, music halls, performance centers, conference centers.

- ★ This series of 18 inch linear array subwoofers is a small to medium-sized, high-precision linear array speaker system.
- ★ It has a great dynamic capacity and is equipped with an imported paper tray 15 inch ultra-low unit, ensuring strong and powerful low-frequency sound output.
- ★ Adopting the latest ergonomics and mechanical design, the entire system is installed quickly and safely when paired with wire pillars.
- ★ The box is made of high-quality environmentally friendly birch plywood and coated with environmentally friendly paint.
- ★ Used in conjunction with dual 8-inch linear array full range speakers, it drives the music effect of the entire linear array system.
- ★ Applicable venues: banquet halls, small and medium-sized performance systems, theaters, music halls, conference centers.

ACO-2818S

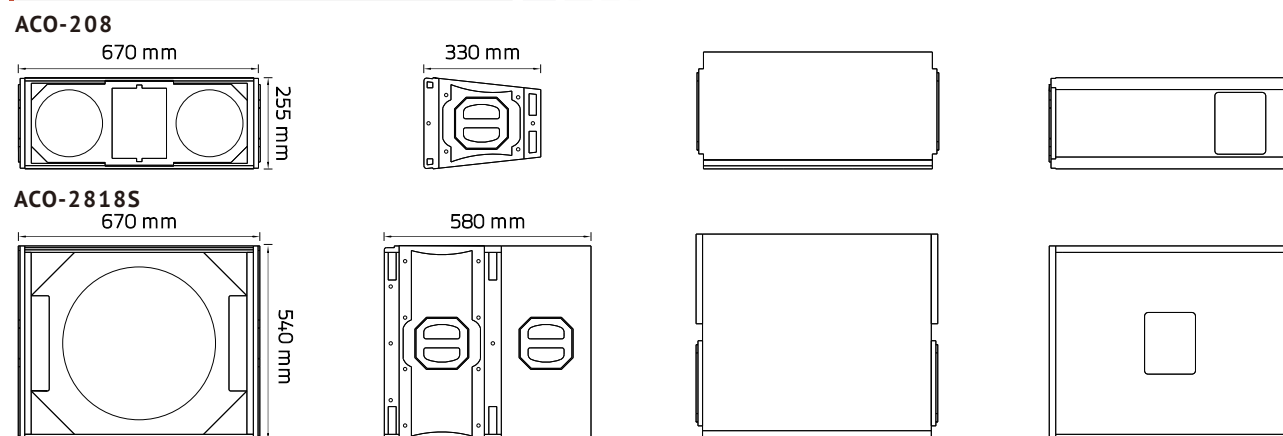


TECHNICAL PARAMETERS

Model	ACO-208		
types of	Full frequency two division	connector	2 x Speakon NL4
woofer	2 x8 " high-quality aerospace magnetic bass unit	connection type	± 1 LHF
tweeter	1 x1.75 " high-quality aerospace magnetic 75 core compression drive	System type	Built in frequency divider
Frequency response	60Hz~18KHz	Surface Treatment	Black polyurethane (black gold sand) spray coating
sensitivity	135dB	Cabinet material	High quality imported birch multi-layer plywood
Impedance	8 Ω	Box type	Trapezoidal box
sound pressure level	109dB	Face Net	Black porous powder coated steel mesh and transparent speaker mesh
peak power	800w	Box size	W 670 x D 330 x H 255mm
rated power	400w		

Model	ACO-2818S		
configuration unit	18 " x 1 (220 magnetic 100 core)	Surface Treatment	Black polyurethane (black gold sand) spray coating
rated power	600w	material quality	Imported high-quality birch multi-layer plywood
peak power	1000w	connection type	± 1 LHF
frequency response	45Hz~130Hz(±3dB)	Face Net	Black porous powder coated steel mesh and transparent speaker mesh
sensitivity	100dB	Box size	W 670 x D 580 x H 540mm
Nominal impedance	8 Ω	Net weight of the box	45KG
connector	2 x Speakon NL4		

STRUCTURE SIZE



ACO-210N



- ★ This series of dual 10 inch linear array speakers is a medium-sized, high-precision linear array speaker system.
- ★ With great dynamic capacity, precise phase tuning on components, and professionally designed linear horn applications, it can perfectly reproduce frequency spectrum signals within the specified range.
- ★ Equipped with two 10 inch imported paper basin bass and a neodymium magnetic 75 core tweeter, carefully tuned by an engineering team.
- ★ Master level rigorous design interprets perfect sound quality effects. Good low-frequency elasticity, clear and transparent mid frequency with distinct layers, bright high frequencies, and long range.
- ★ The suspension system adopts the latest ergonomics and mechanical design, making the installation of the entire system fast and safe.
- ★ The box is made of high-quality birch multi-layer plywood and is made of wear-resistant and environmentally friendly black gold sand spray coating.
- ★ Applicable venues: banquet halls, stage performance systems, theaters, music halls, performance centers, conference centers.

- ★ This series of 18 inch linear array subwoofers is a mid size, high-precision linear array speaker system.
- ★ With great dynamic capacity, precise phase tuning on components, and professionally designed linear horn applications, it can perfectly reproduce frequency spectrum signals within the specified range.
- ★ Equipped with an imported paper basin 18 inch ultra-low unit, carefully tuned by a team of engineers to produce master level sound quality effects. Good low-frequency elasticity, clear and transparent mid frequency with distinct layers, bright high frequencies, and long range.
- ★ The suspension system adopts the latest ergonomics and mechanical design, making the installation of the entire system fast and safe.
- ★ The box is made of high-quality birch multi-layer plywood and is made of wear-resistant and environmentally friendly black gold sand spray coating.
- ★ Used in conjunction with dual 10 inch linear array full range speakers, suitable for venues such as banquet halls, stage performance systems, theaters, music halls, performance centers, and conference centers.

ACO-21018S



PRODUCT DESCRIPTION

PRODUCT DESCRIPTION

ACO-3212



This series of dual 12-inch line array systems adopts a three-way design, with extremely large dynamic capacity, and the phase effect on the components isAnd professionally designed linear horn applications can perfectly reproduce spectrum signals within the specified range. The unit uses two 12-inch. High-quality full-range speakers, two 6.5-inch center and two neodymium 44-core tweeters, with good low-frequency output and mid-rangeThe frequency is clear, transparent and layered, the treble is bright and the range is long.

The hanging system adopts the latest ergonomics and mechanical design, making the entire system installation quick and safe.

The box body is made of high-quality birch multi-layer plywood and is spray-painted with wear-resistant and environmentally friendly black gold sand.

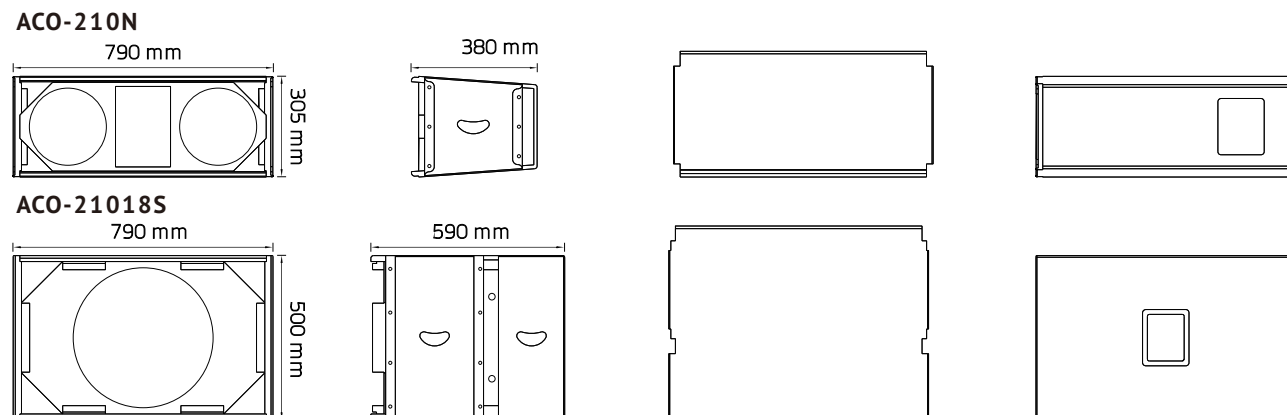
Suitable for professional stage performance systems, bar sound systems, banquet halls, multi-functional lecture halls and auditorium opera houses, etc. Sound system engineering.

TECHNICAL PARAMETERS

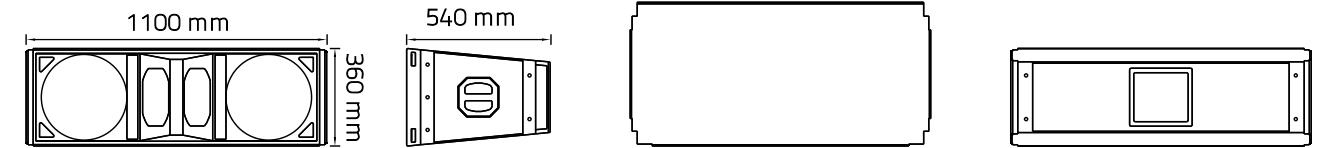
Model	ACO-210N		
Frequency response	65Hz~18KHz	connection type	± 1 LHF
sensitivity	104dB±3dB	System type	Built in frequency divider
Maximum sound pressure	126dB±3dB	Surface Treatment	Black polyurethane (black gold sand) spray coating
impedance	16 Ω	material quality	Imported high-quality birch multi-layer plywood
rated power	600W	Box type	Trapezoidal box
unit	Bass 2 x 10" (250mm), treble 3" (neodymium magnet 75 core)	Face Net	Black porous powder coated steel mesh and transparent speaker mesh
Coverage	70° x 50°	Box size	W 790 x D 380 x H 305mm
connector	2 x Speakon NL4	Net weight	26KG

Model	ACO-21018S		
Configuration unit	18" x 1 (220 magnetic 100 core)	Connection method	± 1 LHF
Rated power	600W	material quality	Imported high-quality birch multi-layer plywood
Peak power	1000W	Surface Treatment	Black polyurethane (black gold sand) spray coating
Frequency response	45Hz~130Hz(±3dB)	Face Net	Black porous powder coated steel mesh and transparent speaker mesh
Sensitivity	100dB	Box size	W 790 x D 590 x H 500mm
Nominal impedance	8 Ω	Net weight of the box	48KG
Connector	2 x Speakon NL4		

STRUCTURE SIZE



STRUCTURE SIZE



TECHNICAL PARAMETERS

Model	ACO-3212				
bass	2x12" (320mm neodymium magnet)	Frequency response	46Hz - 1KHz ±3dB	Sensitivity	106dB
impedance	16 Ω (8 Ω in parallel)	rated power	600W		
Alto	2x8" (210mm neodymium magnet)	Frequency response	58Hz - 4.8KHz ±3dB	Sensitivity	103dB
impedance	16 Ω (8 Ω in parallel)	rated power	400W		
Treble	2x1.75" moving coil (210mm neodymium magnet)	Frequency response	800Hz - 20KHz ±3dB	Sensitivity	106dB
impedance	16 Ω (8 Ω in parallel)	rated power	200W		
crossover point	1.3KHz	Material	Imported high-quality birch multi-layer plywood		
coverage angle	10° x 100°	surface treatment	Black polyurethane (black gold sand) spray coating		
Connector	2 x Speakon NL4	Face net	Black porous powder-coated steel mesh and sound-transparent speaker mesh		
Connection method	± 1 LHF				
System type	Built-in crossover	Cabinet size	1100 x 360 x 540mm		
Cabinet type	Trapezoidal cabinet	Product Weight	38KG		



PRODUCT DESCRIPTION

The Hy series is designed for conference rooms and multi-purpose halls, with a simple appearance and easy installation. It can be easily set up with only 2 engineering personnel system. A special process is used when the equipment is polymerized to ensure that it can achieve normal high quality while maintaining the safety performance of medicines and other products. functional characteristics. The combination angle of the speakers is 10 degrees, so the most dispersed coverage is the entire field. We rarely have the right quantity with Ultra-low ground: The components can form a sound reinforcement system with wide carton performance, long projection distance, high sound pressure and good listening experience.

TECHNICAL PARAMETERS

Model	ACO-606N	ACO-808N
Bass unit	6.5-inch 140 magnetic 51-core bass x 2	8 inch 156 magnetic 65 core bass x2
Tweeter	1.75" (44 core) tweeter x1	1.75" (44 core) tweeter x1
Divider	Two-way 3-unit frequency division	Two-way 3-unit frequency division
impedance	8 Ω	8 Ω
High and low crossover point	1.8KHz	1.8KHz
Sensitivity	102dB ± 3dB	104dB±3dB
Maximum sound pressure	120dB ± 3dB	126dB±3dB
rated power	300W	400W
Frequency response	60-18KHz	65-18KHz
plate	18mm plywood	18cm plywood
surface material	Black polyurethane spray	Black polyurethane spray
face mask	1.5cm hardened iron mesh	1.5cm hardened iron mesh
Binding post	Speakon NL4 x 2	Speakon NL4 x 2
net size	535 x 270 x 215mm	X x mm

PRODUCT DESCRIPTION

The HY series line array is developed for high-end conference venues and high-end wedding venues. The entire series of speaker units adopts the vocal high-definition Reduced fiber paper cone, ultra-low distortion. It can be freely combined when hoisted or placed on the floor, and can be hoisted with a field frame. Can be stacked on the ground. The site requirements are high and the anti-interference ability is strong.



TECHNICAL PARAMETERS

Model	ACO-60615S	ACO-80815S
Bass unit	15 inch 190 magnetic 75 core bass x1	18 inch 220 magnetic 100 core bass x1
impedance	8 Ω	8 Ω
Sensitivity	104dB±3dB	104dB±3dB
Maximum sound pressure	126dB±3dB	126dB±3dB
rated power	500W	650W
Frequency response	35-300Hz	35-300Hz
plate	18mm plywood	18mm plywood
surface material	Black polyurethane spray	Black polyurethane spray
face mask	1.8cm hardened iron mesh	1.8cm hardened iron mesh
Binding post	Speakon NL4 x 2	Speakon NL4 x 2
net size	535 x 545 x 460mm	Xxmm

PRODUCT DESCRIPTION

The specially designed box structure and internal structure effectively increase the sound field reflection superposition effect and effectively enhance the sound pressure level. The system is equipped with a 15-inch professional high-power woofer and a high-quality dynamic compression horn tweeter. The professional horn brings a transparent and bright vocal effect, rich in layers, long range, round and reasonable, high frequency is soft and delicate, and has a very high degree of restoration. The 380mm large-diameter unit outputs powerful and explosive low frequencies, with powerful and full penetration and full flexibility. The box body is made of high-quality environmentally friendly wooden boards, and the interior is designed with a reinforced support structure, which can effectively reduce the energy consumption of the box body. The surface adopts environmentally friendly spray paint coating, which is moisture-proof and wear-resistant, providing better protection during transportation or installation. The high-strength molded steel mesh installed on the front can effectively protect the unit and suppress harmful vibrations under high power of the system. The cabinet is equipped with hanging points for M8 screws, which facilitates installation and adapts to various uses. Applicable places: stage performances, professional KTV rooms, conference halls, multimedia halls, multi-functional halls, Supermarket loudspeaker, school classroom, etc.



TECHNICAL PARAMETERS

Model	ACO-1070	ACO-1270	ACO-1570	ACO-2570
Bass unit	1 x 10 inch 156 magnetic 65 core	1 x 12 inch 190 magnetic 75 core	1 x 15 inch 190 magnetic 75 core	1 x 15 inch 190 magnetic 75 core
tweeter	1*1.7 inch horn tweeter 34 cores	1 * 1.7 inch horn tweeter 51 cores	1 * 1.7 inch horn tweeter 51 cores	1 * 1.7 inch horn tweeter 51 cores
crossover	Two-way two-unit	Two-way two-unit	Two-way two-unit	Two-way two-unit
impedance	8 Ω	8 Ω	8 Ω	8 Ω
High and low crossover point	1.8KHz	1.8KHz	1.8KHz	1.8KHz
Sensitivity	96dB	96dB	98dB	98dB
Withstand power	250W	350W	450W	450W
Frequency response	50Hz - 20KHz	50Hz - 20KHz	50Hz - 20KHz	50Hz - 20KHz
plate	18mmMDF	18mmMDF	18mmMDF	18mmMDF
surface material	black dot spray	black dot spray	black dot spray	black dot spray
face mask	1.2mm hardened black	1.2mm hardened black	1.2mm hardened black	1.2mm hardened black
Binding post	Speakon NL 4 x 2	Speakon NL 4 x 2	Speakon NL 4 x 2	Speakon NL 4 x 2



TECHNICAL PARAMETERS

Model	ACO-1070
Bass unit	1 x 18-inch 220 magnetic 100-core aluminum frame
impedance	8 Ω
Sensitivity	98dB
rated power	600W
Frequency response	20Hz-180Hz
plate	MDF
surface material	black matt paint
face mask	Black matte iron mesh

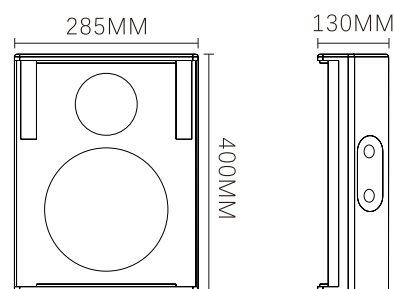


PRODUCT DESCRIPTION

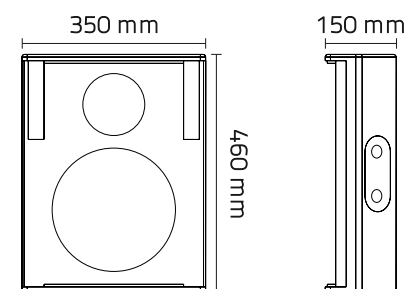
- ★ B series ultra-thin sound system.
- ★ The surface of the box is made of environmentally friendly spray paint, which is beautiful, wear-resistant and durable. Set 2 NL4Mp professional four-core on the aluminum alloy wiring board
Wiring jack, the wire port is not exposed to meet the needs of parallel wiring of speakers.
- ★ To meet the requirements of on-site acoustic effects, it adopts a professional two-way system, equipped with a 12-inch speaker unit and a professional horn
- ★ The corner treble greatly improves the expressiveness of mid- and high-frequency vocals. The labyrinth air guide design ensures that a large-volume acoustic effect can be simulated in a small-volume box, which not only meets the needs of ultra-thin and compact Installation requirements, but also meet the stringent requirements of sound effects.
- ★ The cabinet adopts an ultra-thin cabinet design. The back of the cabinet is designed with special screw holes for wall mounting brackets, which is also user-friendly. Add simple cross hanging holes to solve the lifting problem with one nail.

STRUCTURE SIZE

ACO-B0834



ACO-B1034



TECHNICAL PARAMETERS

Model	ACO-B0834	ACO-B1034
Frequency response	70Hz - 18KHz	60Hz - 18KHz
Sensitivity	92dB	95dB
Rated impedance	8 Ω	8 Ω
Maximum sound pressure	110dB	116dB
Rated power	150W	200W
Peak power	300W	400W
Coverage angle	70° x 100°	70° x 100°
Unit	Bass 1 x 8" Treble 1 x 1.35" (mid 34mm)	Bass 1 x 10" Treble 1 x 1.35" (Φ 34mm)
Connector	2 x Neutrik Speakon NL4Mp	2 x Neutrik Speakon NL4Mp
Cabinet material	High quality board	High quality board
Surface treatment	Black polyurethane spray black porous powder spray	Black polyurethane spray
Face net	Black porous powder-coated steel mesh and sound-transparent speaker mesh	Black porous powder-coated steel mesh and sound-transparent speaker mesh
Cabinet size	W285 x D130 x H400mm	W285 x D135 x H460mm

FP

PROFESSIONAL POWER AMPLIFIER

This machine adopts the mature QSC-CLASS H type circuit, with perfect protection measures, stable performance, and a powerful yet flexible sound. Coupled with a simple, elegant, and stable appearance, it is a highly cost-effective power amplifier that can meet a wide range of application needs, such as KTV, private rooms, home theaters, slow rocking bars, quiet bars, conference rooms, banquet halls, and other various sound reinforcement purposes. It has the advantages of clean and transparent high, medium, and low frequencies with high efficiency.



TECHNICAL PARAMETERS

Model	ACO-FP3000	ACO-FP4000	ACO-FP5000	ACO-FP6000	ACO-FP8000	ACO-FP10000	ACO-FP13000
Output power 8 Ω	2X300W	2X450W	2X550W	2X650W	2X850W	2X1000W	2X1300W
4 Ω	2X600W	2X650W	2X800W	2X950W	2X1250W	2X1500W	2X1800W
Bridge connect 8 Ω	1200W	1350W	1650W	1950W	2250W	3000W	3500W
Frequency response	20Hz-20KHz ±0.35dB						
Total Harmonic Distortion	<0.1%						
Intermodulation Distortion	<0.05%						
SNR	>110db						
Input Common Mode Rejection Ratio	>78dB(@1KHz)						
Channel Separation	>78dB(@1KHz)						
Damping Coefficient	>200(@8 Ω, <1KHz)						
Input Impedance	20K Ω, balanced input						
Slew Rate	40V/us						
Input Sensitivity	+2.2dBu(1.0Vrms)						
Maximum input level	+2.0dBu(10.0vRMS)						
Dynamic Compression Limiting	Full automatic intelligence						
Three Filtering Modes	Low-pass, Direct-pass, High-pass						
Protection Circuit	Soft start, Input surge limitation, Output short circuit, Direct current, Overload protection, Main fuse protection, Switch mute protection, Radio frequency interference protection						
Cooling Method	Four DC temperature-controlled variable-speed fans. The air flow direction is from front to back						
Panel Indication	Power supply, Clipping, Compression limiting, Signal						
Rear Panel Interface	Input / Female 3-pin XLR x 2; Output / Male 3-pin XLR x 2; 4-hole SPEAKON connector x 2; 2 sets of dedicated red and black connection posts						
Dimension	W483xH88xD497mm						

PD

PROFESSIONAL POWER AMPLIFIER

This machine adopts the mature QSC-CLASS H type circuit, with perfect protection measures, stable performance, and a powerful yet flexible sound. Coupled with a simple, elegant, and stable appearance, it is a highly cost-effective power amplifier that can meet a wide range of application needs, such as KTV, private rooms, home theaters, slow rocking bars, quiet bars, conference rooms, banquet halls, and other various sound reinforcement purposes. It has the advantages of clean and transparent high, medium, and low frequencies with high efficiency.



MA

PROFESSIONAL POWER AMPLIFIER

This machine adopts the mature QSC-CLASS H type circuit, with perfect protection measures, stable performance, and a powerful yet flexible sound. Coupled with a simple, elegant, and stable appearance, it is a highly cost-effective power amplifier that can meet a wide range of application needs, such as KTV, private rooms, home theaters, slow rocking bars, quiet bars, conference rooms, banquet halls, and other various sound reinforcement purposes. It has the advantages of clean and transparent high, medium, and low frequencies with high efficiency.



TECHNICAL PARAMETERS

Model	ACO-PD2200	ACO-PD2300	ACO-PD2400	ACO-PD2500	ACO-PD2600	ACO-PD2800	ACO-PD21300
Output power 8Ω	2X250W	2X350W	2X450W	2X550W	2X650W	2X850W	2X1000W
4Ω	2X350W	2X450W	2X650W	2X800W	2X950W	2X1250W	2X1500W
Bridge connect 8Ω	700W	900W	1350W	1650W	1950W	2250W	3000W
Frequency response	20Hz-20KHz ±0.35dB						
Total Harmonic Distortion	<0.1%						
Intermodulation Distortion	<0.05%						
SNR	>110dB						
Input Common Mode Rejection Ratio	>78dB(@1KHz)						
Channel Separation	>78dB(@1KHz)						
Damping Coefficient	>200(@8Ω, <1KHz)						
Input Impedance	20KΩ, ballanced input						
Slew Rate	40V/us						
Input Sensitivity	+2.2dBu(1.0Vrms)						
Maximum input level	+2.0dBu(10.0vRMS)						
Dynamic Compression Limiting	Full automatic intelligence						
Three Filtering Modes	Low-pass, Direct-pass, High-pass						
Protection Circuit	Soft start, Input surge limitation, Output short circuit, Direct current, Overload protection, Main fuse protection, Switch mute protection, Radio frequency interference protection						
Cooling Method	Four DC temperature-controlled variable-speed fans. The air flow direction is from front to back						
Panel Indication	Power supply, Clipping, Compression limiting, Signal						
Rear Panel Interface	Input / Female 3-pin XLR x 2; Output / Male 3-pin XLR x 2; 4-hole SPEAKON connector x 2; 2 sets of dedicated red and black connection posts						
Dimension	W483xH88xD497mm						

TECHNICAL PARAMETERS

Model	ACO-MA2.02	ACO-MA2.03	ACO-MA2.04	ACO-MA2.05	ACO-MA2.06	ACO-MA2.08	ACO-MA2.10
Output power 8Ω	2X250W	2X350W	2X450W	2X550W	2X650W	2X850W	2X1000W
4Ω	2X350W	2X450W	2X650W	2X800W	2X950W	2X1250W	2X1500W
Bridge connect 8Ω	700W	900W	1350W	1650W	1950W	2250W	3000W
Frequency response	20Hz-20KHz ±0.35dB						
Total Harmonic Distortion	<0.1%						
Intermodulation Distortion	<0.05%						
SNR	>110dB						
Input Common Mode Rejection Ratio	>78dB(@1KHz)						
Channel Separation	>78dB(@1KHz)						
Damping Coefficient	>200(@8Ω, <1KHz)						
Input Impedance	20KΩ, ballanced input						
Slew Rate	40V/us						
Input Sensitivity	+2.2dBu(1.0Vrms)						
Maximum input level	+2.0dBu(10.0vRMS)						
Dynamic Compression Limiting	Full automatic intelligence						
Three Filtering Modes	Low-pass, Direct-pass, High-pass						
Protection Circuit	Soft start, Input surge limitation, Output short circuit, Direct current, Overload protection, Main fuse protection, Switch mute protection, Radio frequency interference protection						
Cooling Method	Four DC temperature-controlled variable-speed fans. The air flow direction is from front to back						
Panel Indication	Power supply, Clipping, Compression limiting, Signal						
Rear Panel Interface	Input / Female 3-pin XLR x 2; Output / Male 3-pin XLR x 2; 4-hole SPEAKON connector x 2; 2 sets of dedicated red and black connection posts						
Dimension	W483xH88xD497mm						

Professional peripheral equipment (mixing console)

PROFESSIONAL PERIPHERALS

MQ



■ ACO-MQ802

■ ACO-MQ1202

PRODUCT DESCRIPTION

- 8 mono channels and 1 RCA stereo channel input professional mixing console
- Channel 3-segment equalization
- Built in 16 segment delay effect device
- 1 set of auxiliary output, 1 set of return
- Mp3 independent playback channel with USB interface, recording function, Bluetooth connection function
- Professional+48V phantom power supply
- Each channel is equipped with a mute switch function key
- 60MM travel high analysis thruster
- High precision three color precise level column, accurately displaying output level
- Worldwide universal internal global power supply

TECHNICAL PARAMETERS

Model	ACO-MQ802	ACO-MQ1202
Passageway	8 Mono	12 Mono
Channel balance	EQ 3 Band	EQ 3 Band
Auxiliary output	AUX1	AUX1
Return	Return 1	Return 1
Effect device	16 ECHO	16 ECHO
Main output	1 Stereo	1 Stereo
phantom power	48V DC	48V DC
USB/REC	player	player
Master control balance	EQ	EQ

PMR ANALOG MIXER



■ ACO-PMR8FX

■ ACO-PMR12FX

■ ACO-PMR16FX

PRODUCT DESCRIPTION

- 2-group professional mixing console
- 8 mono inputs and 1 stereo input
- Single channel with signal insertion points, convenient for external signal processors
- Built in 99 DSP effectors
- 1 set of auxiliary output, 1 set of return
- 60MM travel high analysis thruster
- Built in noise reducing switch power supply, easy and flexible to use
- Mp3 player with USB interface and Bluetooth connection
- Dual 7-segment stereo graphic equalizer
- Channel four stage balance
- Each channel is equipped with low cut, mute, and monitoring buttons
- High quality+48V phantom power supply

TECHNICAL PARAMETERS

Model	ACO-PMR8FX	ACO-PMR12FX	ACO-PMR16FX
Passageway	8 Mono	12 Mono	16 Mono
Channel balance	EQ 3 Band	EQ 3 Band	EQ 3 Band
Auxiliary output	AUX1	AUX1	AUX1
Return	Return 1	Return 1	Return 1
Effect device	16 ECHO	16 ECHO	16 ECHO
Main output	1 Stereo	1 Stereo	1 Stereo
phantom power	48V DC	48V DC	48V DC
USB/REC	player	player	player
Master control balance	EQ	EQ	EQ